

PJ74AUP1G07 Datasheet

Low-Power Single Buffer/Driver With Open-Drain Output

Version: Rev.1.0

Release Date: 2025-11-06

MetaWells Co., Ltd.

www.MetaWells.com

General Description

This single buffer/driver is designed for 0.8 V to 3.6 V V_{CC} operation.

The output of the PJ74AUP1G07 device is open drain and can be connected to other open-drain outputs to implement active-low wired-OR or active-high wired-AND functions. The PJ74AUP1G07 is available in a variety of packages, including SOT23-5, SC70-5.

Simplified Schematic



Features

- ◆ Inputs Accept Voltages 0.8V to 3.6 V
- ◆ Max T_{PD} of 5.4 ns at 3.3 V
- ◆ Low Static-Consumption, 0.9 μA Max I_{CC}
- ◆ Low Noise Overshoot and Undershoot < 10% of V_{CC}
- ◆ I_{off} Supports Live Insertion, Partial-Power-Down Mode, and Back-Drive Protection
- ◆ Input Hysteresis Allows Slow Input Transition and Better Switching Noise Immunity at Input ($V_{hys} = 250mV$ Typical 3.3V)
- ◆ 3.6V I/O Tolerant to Support Mixed-Mode Signal Operation
- ◆ Suitable for Point-to-Point Applications
- ◆ Latch-Up Performance Exceeds 100 mA Per JESD 78, Class II
- ◆ ESD Protection Exceeds JESD 22
 - 2000-V Human-Body Model (A114-A)
 - 1000-V Charged-Device Model (C101)

Applications

- ◆ ATCA Solutions
- ◆ Active Noise Cancellation (ANC)
- ◆ Barcode Scanner
- ◆ Blood Pressure Monitor
- ◆ CPAP Machine
- ◆ Cable Solutions
- ◆ DLP 3DMachine Vision, Hyperspectral Imaging, Optical Networking, and Spectroscopy
- ◆ E-Book
- ◆ Embedded PC
- ◆ Field Transmitter: Temperature or Pressure Sensor
- ◆ Fingerprint Biometrics
- ◆ HVAC: Heating, Ventilating, and Air Conditioning

Ordering Information

Ordering Information

Order number	Marking ID	Package	MSL	Description
PJ74AUP1G07S5	C6DNN	SOT23-5	Level-3	Halogen free RoHS compliant in T/R, 3,000 pcs/Reel
PJ74AUP1G07C5	ARW	SC70-5	Level-3	Halogen free RoHS compliant in T/R, 3,000 pcs/Reel

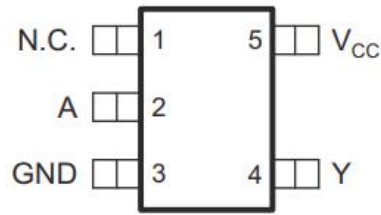
Note:

(1) Panjit can meet RoHS 2.0/REACH requirement. So most package types Panjit offers only states halogen free, instead of lead free.

Marking Information

Marking	Package	Definition
C6DNN	SOT23-5	C6: Product code ; D: Date code ; NN: Serial number
ARW	SC70-5	AR: Product code ; W: Week code

Pin Configuration



SOT23-5 and SC70-5 (Top View)

Pin Description

Pin		Function
Num	Name	
1	NC	No Connect
2	A	Input
3	GND	Ground
4	Y	Output
5	V _{CC}	Power Pin

Function Table

H = HIGH voltage level; L = LOW voltage level; Z = High impedance

INPUTs	OUTPUT
A	Y
H	H/Z
L	L

Absolute Maximum Ratings

Symbol	Value	Units
V_{CC}	-0.5 to 4.6	V
V_I	-0.5 to 4.6	V
V_O (Voltage range applied to any output in the high-impedance or power-off state)	-0.3 to 4.6	V
V_O (Voltage range applied to any output in the high or slow state)	-0.3 to $V_{CC}+0.3$	V
Input clamp current	-50	mA
Output clamp current	-50	mA
Continuous output current	± 20	mA
Storage Temperature	-65 to 150	$^{\circ}\text{C}$

Recommended Operating Conditions

Parameter	Symbol	Test Conditions	Min	Typ	Max	Units
Supply voltage	V_{CC}	Operating	0.8		3.6	V
Input voltage	V_I		0		3.6	V
Output voltage	V_O		0		3.6	V
High- level input voltage	V_{IH}	$V_{CC} = 0.8\text{V}$	V_{CC}			V
		$V_{CC} = 1.1\text{V to } 1.95\text{V}$	$0.65 \times V_{CC}$			
		$V_{CC} = 2.3\text{V to } 2.7\text{V}$	1.6			
		$V_{CC} = 3\text{V to } 3.6\text{V}$	2			
Low- level input voltage	V_{IL}	$V_{CC} = 0.8\text{V}$			0	V
		$V_{CC} = 1.1\text{V to } 1.95\text{V}$			$0.35 \times V_{CC}$	
		$V_{CC} = 2.3\text{V to } 2.7\text{V}$			0.7	
		$V_{CC} = 3\text{V to } 3.6\text{V}$			0.9	
Low- level output current	I_{OL}	$V_{CC} = 0.8\text{V}$			20	μA
		$V_{CC} = 1.1\text{V}$			1.1	mA
		$V_{CC} = 1.4\text{V}$			1.7	
		$V_{CC} = 1.65\text{V}$			1.9	
		$V_{CC} = 2.3\text{V}$			3.1	
		$V_{CC} = 3\text{V}$			4	
Input transition rise or fall rate	$\Delta T/\Delta V$	$V_{CC} = 0.8\text{V to } 3.6\text{V}$			200	ns/V
Operating temperature	T_A		-40		85	$^{\circ}\text{C}$

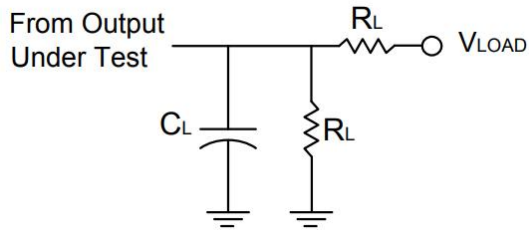
Electrical Characteristics

Parameter	Symbol	Test Conditions	Min	Typ	Max	Units
Low- level output voltage	V_{OL}	$V_{CC} = 0.8\sim 3.6V, I_{OL} = 20\mu A$			0.1	V
		$V_{CC} = 1.1V, I_{OL} = 1.1mA$			$0.3 \times V_{CC}$	
		$V_{CC} = 1.4V, I_{OL} = 1.7mA$			0.31	
		$V_{CC} = 1.65V, I_{OL} = 1.9mA$			0.31	
		$V_{CC} = 2.3V, I_{OL} = 2.3mA$			0.31	
		$V_{CC} = 2.3V, I_{OL} = 3.1mA$			0.44	
		$V_{CC} = 3V, I_{OL} = 2.7mA$			0.31	
		$V_{CC} = 3V, I_{OL} = 4mA$			0.44	
Input leakage current	I_I	$V_{IN} = 3.6V$ or GND, $V_{CC} = 0\sim 3.6V$			0.1	μA
Power off leakage current	I_{OFF}	V_I or $V_O = 0V$ to 3.6V, $V_{CC} = 0V$			0.2	μA
Supply current	I_{CC}	$V_I =$ GND or (V_{CC} to 3.6V), $I_{OUT} = 0$, $V_{CC} = 0.8\sim 3.6V$			0.5	μA
Additional supply current per input pin	ΔI_{CC}	$V_I = V_{CC} - 0.6V, I_{OUT} = 0$			40	μA

Switching Characteristics

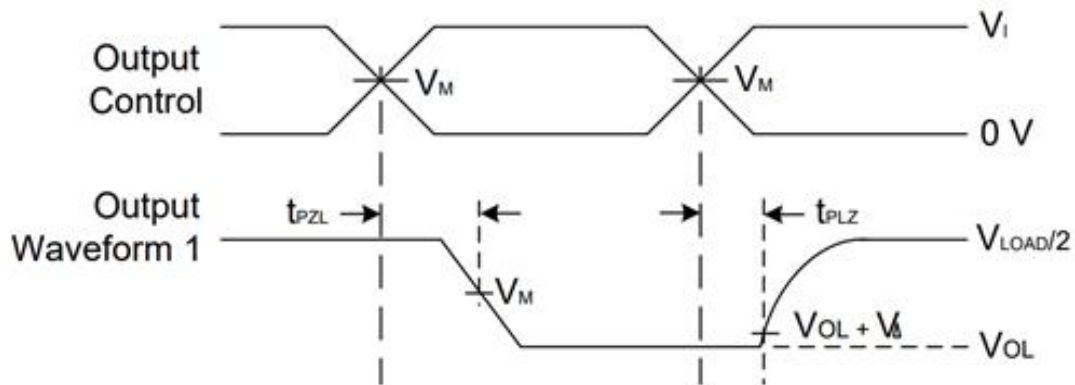
Parameter	Symbol	Test Conditions	Min	Typ	Max	Units	
Propagation delay from input (A or B) to output (Y)	T_{PD}	$V_{CC} = 0.8V$		18.2		nS	
		$V_{CC} = 1.2V \pm 0.1V,$	$C_L = 15 pF$	4.9	7.3		10.4
		$V_{CC} = 1.5V \pm 0.1V,$		3.8	5.2		6.8
		$V_{CC} = 1.8V \pm 0.15V$		3.4	4.8		6.7
		$V_{CC} = 2.5V \pm 0.2V$		2.4	3.4		4.5
		$V_{CC} = 3.3V \pm 0.3V$		2.2	3.7		5.4

Parameter Measurement Information



TEST	Condition
t_{PLZ}	V_{LOAD}
t_{PZL}	V_{LOAD}

V_{CC}	INPUTS		V_M	C_L	R_L
	V_I	t_r/t_f			
0.8V	V_{CC}	$\cong 2ns$	$V_{CC}/2$	15pF	5K Ω
$1.2V \pm 0.1V$	V_{CC}	$\cong 2ns$	$V_{CC}/2$	15pF	5K Ω
$1.5V \pm 0.1V$	V_{CC}	$\cong 2ns$	$V_{CC}/2$	15pF	5K Ω
$1.8V \pm 0.15V$	V_{CC}	$\cong 2ns$	$V_{CC}/2$	15pF	5K Ω
$2.5V \pm 0.2V$	3V	$\cong 2.5ns$	1.5V	15pF	5K Ω
$3.3V \pm 0.3V$	V_{CC}	$\cong 2.5ns$	$V_{CC}/2$	15pF	5K Ω



Voltage Waveform Enable and Disable Times

Low- and High-Level Enabling

Notes:

- (1) C_L includes probe and jig capacitance
- (2) All pulses and supplied at pulse repetition rate $\leq 10MHz$
- (3) The Inputs are measured one at a time with one transition per measurement
- (4) For the open drain device t_{PLZ} and t_{PZL} are the same as t_{PD}
- (5) t_{PZL} is measured at V_M
- (6) t_{PLZ} is measured at $V_{OL} + V_{\Delta}$

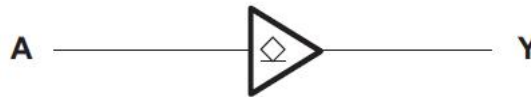
IC Operation Information

Basic Operation

The PJ74AUP1G07 device is a single buffer gate with open drain output that operates from 0.8 V to 3.6 V. The output of this single buffer/driver is open drain, and can be connected to other open-drain outputs to implement active-low wired-OR or active-high wired-AND functions.

The AUP family of devices has quiescent power consumption less than 1 μ A. This device is fully specified for partial-power-down applications using I_{off} . The I_{off} circuitry disables the outputs, preventing damaging current backflow through the device when it is powered. The I_{off} feature also allows for live insertion.

Function Block Diagram



Feature Description

- Wide operating V_{CC} range of 0.8V to 3.6V.
- 3.6 V I/O tolerant to support down translation.
- Input hysteresis allows slow input transition and better switching noise immunity at the input.
- I_{off} feature allows voltages on the inputs and outputs when V_{CC} is 0 V.
- Low noise due to slower edge rates.

Device Functional Table

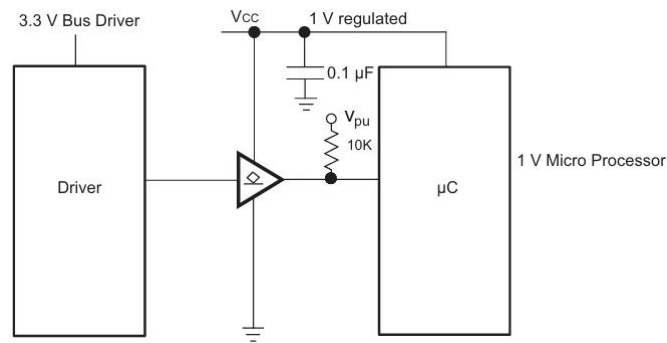
H = HIGH voltage level; L = LOW voltage level;; Z = High impedance

INPUTs	OUTPUT
A	Y
H	H/Z
L	L

IC Application Information

The AUP family is the solution to the industry's low-power needs in battery-powered portable applications. This family ensures a very low static and dynamic power consumption across the entire V_{CC} range of 0.8 V to 3.6 V, resulting in an increased battery life. This product also maintains excellent signal integrity. It has a small amount of hysteresis built in allowing for slower or noisy input signals. The lowered drive produces slower edges and prevents overshoot and undershoot on the outputs.

Typical Application



Design Requirements

This device uses CMOS technology and has balanced output drive. Take care to avoid bus contention because it can drive currents that would exceed maximum limits

Detailed Design Procedure

1. Recommended Input conditions:
 - Rise time and fall time specs. See ($\Delta t/\Delta V$)
 - Specified high and low levels. See (V_{IH} and V_{IL})
 - Inputs are overvoltage tolerant allowing them to go as high as 3.6 V at any valid V_{CC}
2. Recommended output conditions:
 - Load currents should not exceed 20 mA on the output and 50 mA total for the part
 - Outputs should not be pulled above V_{CC}

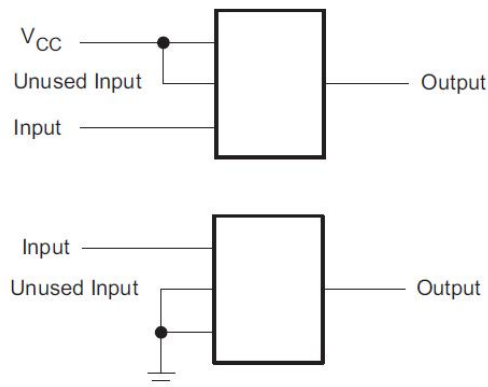
Power Supply Recommendations

The power supply can be any voltage between the Min and Max supply voltage rating located in the Recommended Operating Conditions table. Each V_{CC} pin should have a good bypass capacitor to prevent power disturbance. For devices with a single supply, 0.1 μF is recommended; if there are multiple V_{CC} pins, then 0.01 μF or 0.022 μF is recommended for each power pin. It is acceptable to parallel multiple bypass caps to reject different frequencies of noise. A 0.1 μF and a 1 μF are commonly used in parallel. The bypass capacitor should be installed as close to the power pin as possible for best results.

Layout Considerations

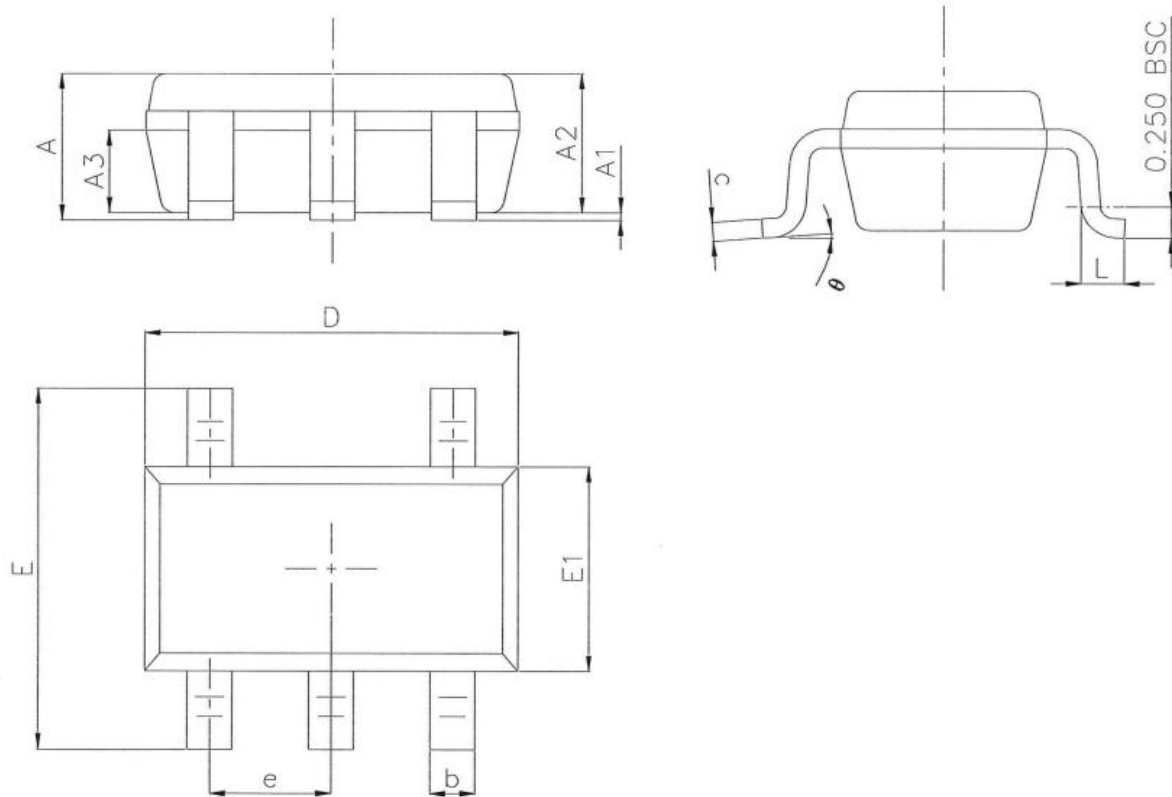
When using multiple-bit logic devices, inputs should never float.

In many cases, functions or parts of functions of digital logic devices are unused, for example, when only two inputs of a triple-input AND gate are used or only 3 of the 4 buffer gates are used. Such input pins should not be left unconnected because the undefined voltages at the outside connections result in undefined operational states. Below figure specifies the rules that must be observed under all circumstances. All unused inputs of digital logic devices must be connected to a high or low bias to prevent them from floating. The logic level that should be applied to any particular unused input depends on the function of the device. Generally they will be tied to GND or V_{CC} , whichever makes more sense or is more convenient. It is generally acceptable to float outputs, unless the part is a transceiver. If the transceiver has an output enable pin, it will disable the output section of the part when asserted. This will not disable the input section of the I/Os, so they cannot float when disabled.



Package Outline Dimension-SOT23-5

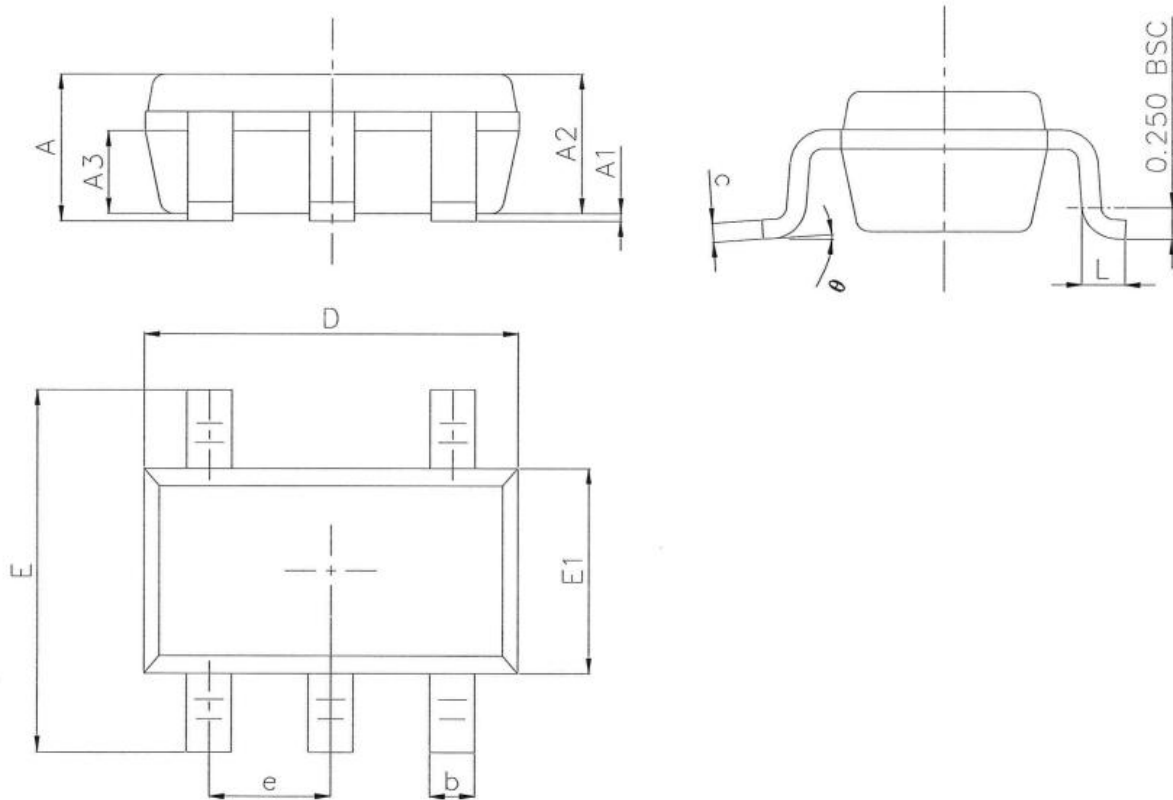
SOT23-5 Unit (mm)



Symbol	Dimension in mm		
	Min.	Nom.	Max.
A	1.050	1.150	1.250
A1	0.000	0.060	0.100
A2	1.000	1.100	1.200
A3	0.550	0.650	0.750
D	2.820	2.920	3.020
E1	1.510	1.610	1.700
E	2.650	2.800	2.950
b	0.300	0.400	0.500
e	0.950BSC		
θ	0°	4°	8°
L	0.300	0.420	0.570
c	0.100	0.152	0.200

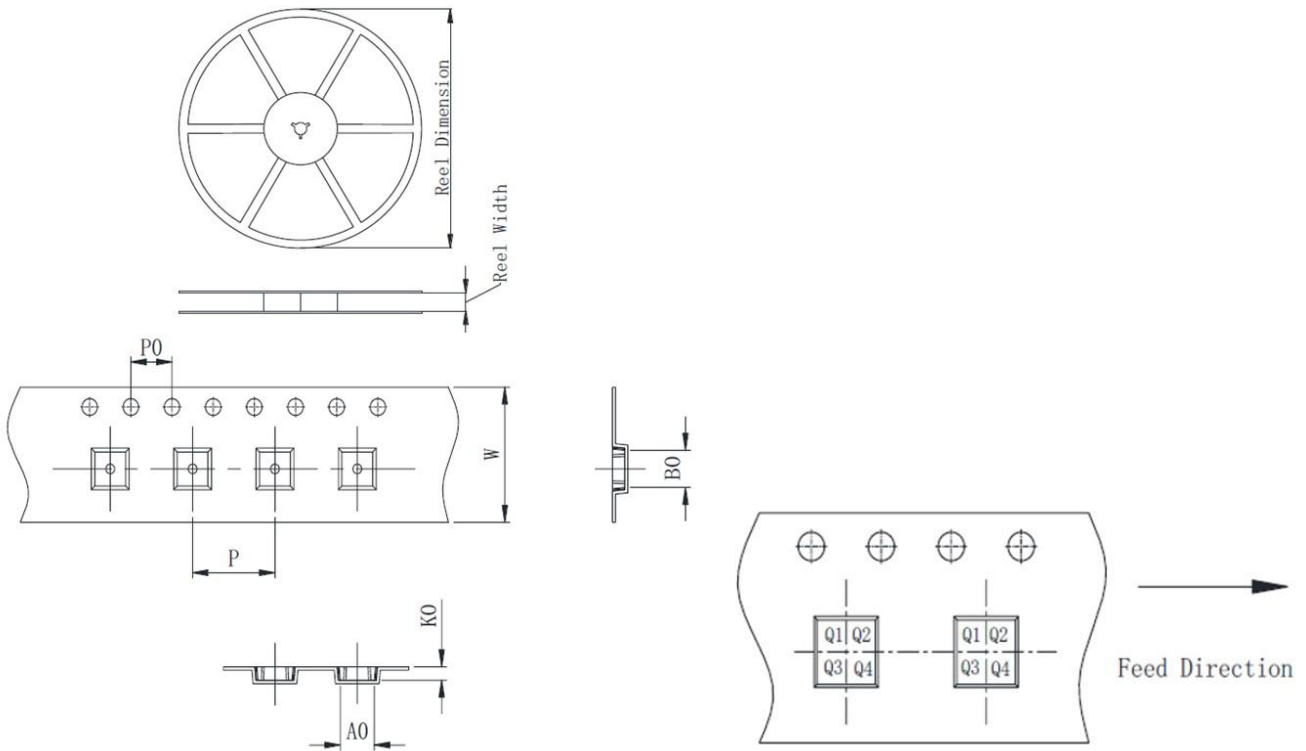
Package Outline Dimension-SC70-5

SC70-5 Unit (mm)



Symbol	Dimension in mm		
	Min.	Nom.	Max.
A	0.90	0.95	1.00
A1	0.00	0.05	0.10
A2		0.9	
A3		0.55	
D	2.00	2.10	2.20
E1	1.15	1.25	1.35
E	2.00	2.10	2.20
b	0.15	0.225	0.30
e	0.65BSC		
θ	0°	4°	8°
L	0.26	0.35	0.46
c	0.10	0.15	0.20

Packing information



Package type	Reel size	Reel dimension (±3.0mm)	Reel width (±1.0mm)	A0 (±0.1mm)	B0 (±0.1mm)	K0 (±0.1mm)	P (±0.1mm)	P0 (±0.1mm)	W (±0.3mm)	Pin1
SOT23-5	7'	180	8.4	3.23	3.17	1.32	4.0	4.0	8.0	Q3
SC70-5	7'	180	8.4	3.23	3.17	1.32	4.0	4.0	8.0	Q3

Version History

Version	Date	Changes
Rev.1.0	2025-11-06	Initial release

Disclaimer

MetaWells Co., Ltd. and all other MetaWells Co., Ltd. trademarks are the exclusive property of MetaWells Co., Ltd.. Any mention of additional trademarks or registered trademarks in this document is made in acknowledgment of their respective owners.

Without the consent of MetaWells Co., Ltd. , any modification to any part or subsection of the company's product specifications and datasheets is strictly prohibited in any form or manner. MetaWells Co., Ltd. reserves the right to modify datasheets and/or products, discontinue any product, or terminate services without prior notice. It is recommended that customers obtain the latest version of relevant information and verify its timeliness and completeness before placing an order. All products are sold in accordance with the terms and conditions provided in the sales contract at the time of order confirmation, which includes warranty scope, intellectual property rights, and liability limitations.

During the sales period, MetaWells Co., Ltd. guarantees that the performance of the products will be in accordance with the company's standard warranty. The company utilizes testing and other quality control techniques to ensure the necessity to maintain this warranty. Except for government-mandated requirements, there is no need for special testing of measurement tables or other instruments.

Customers must acknowledge that our products are not intended or manufactured for use in life support systems or other high-risk activities or environments. The utilization of our products in such applications may lead to severe consequences, including personal injury, loss of life, property damage, or environmental harm. Our products are explicitly not warranted for deployment in high-risk activities, and we shall bear no responsibility towards customers or third parties for such usage.

MetaWells Co., Ltd. commits to providing technical support, assistance, advice, and information, in line with our current capabilities, including guidance related to the design, development, or debugging of purchased boards or other applications. However, we hereby disclaim all warranties concerning technical support, merchantability, or fitness for a particular purpose. We do not guarantee the error-free operation of boards or applications in conjunction with our support services, and we shall not be held liable for any consequences arising from the utilization of our support services.

Copyright© MetaWells Co., Ltd. 2024

Website : www.MetaWells.com